

THIS DRAWING IS UNPUBLISHED.

RELEASED FOR PUBLICATION

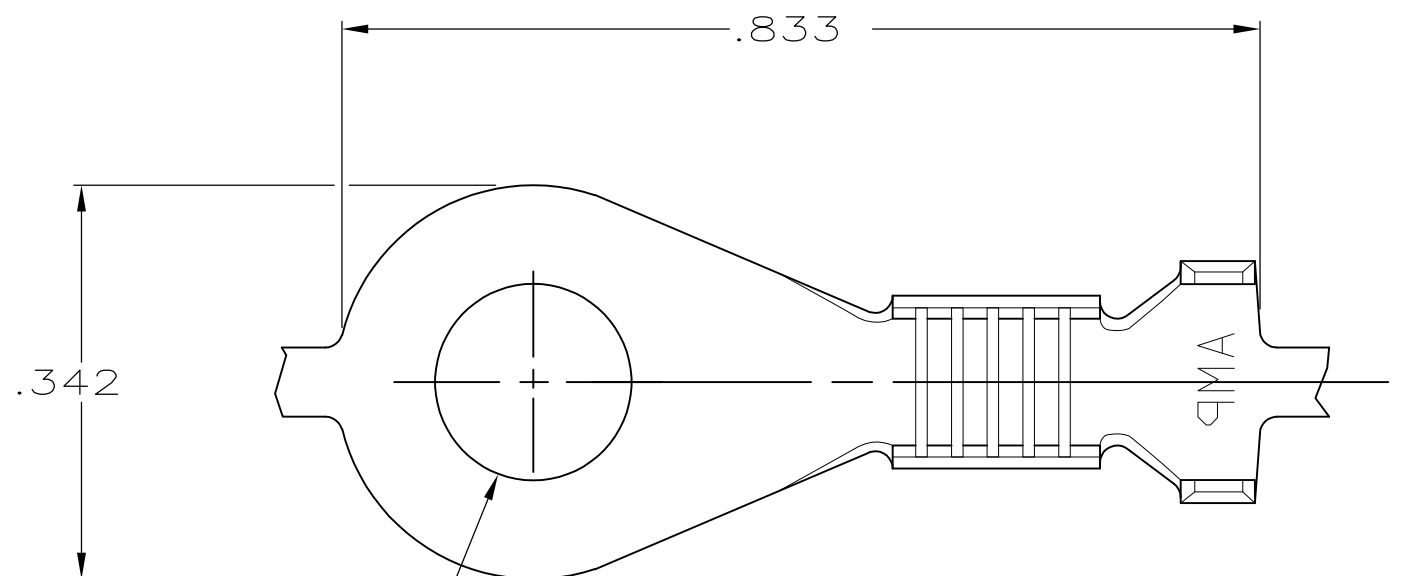
© COPYRIGHT - By TYCO ELECTRONICS CORPORATION.

ALL RIGHTS RESERVED.

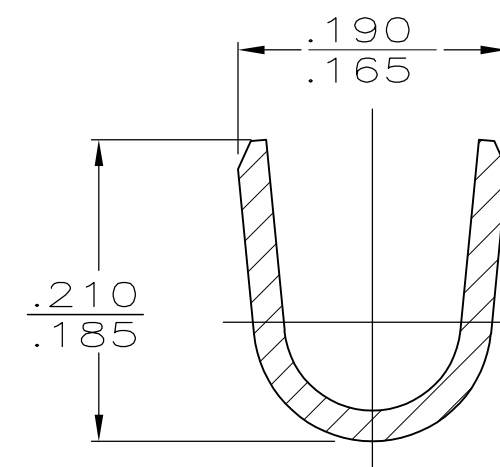
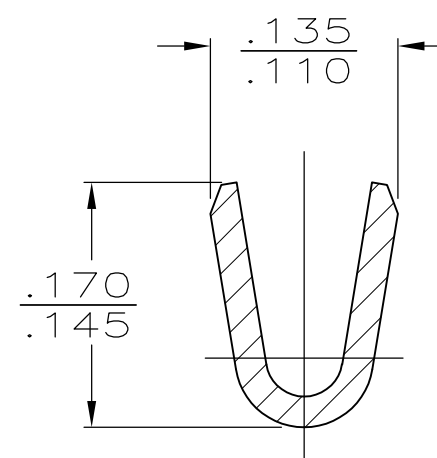
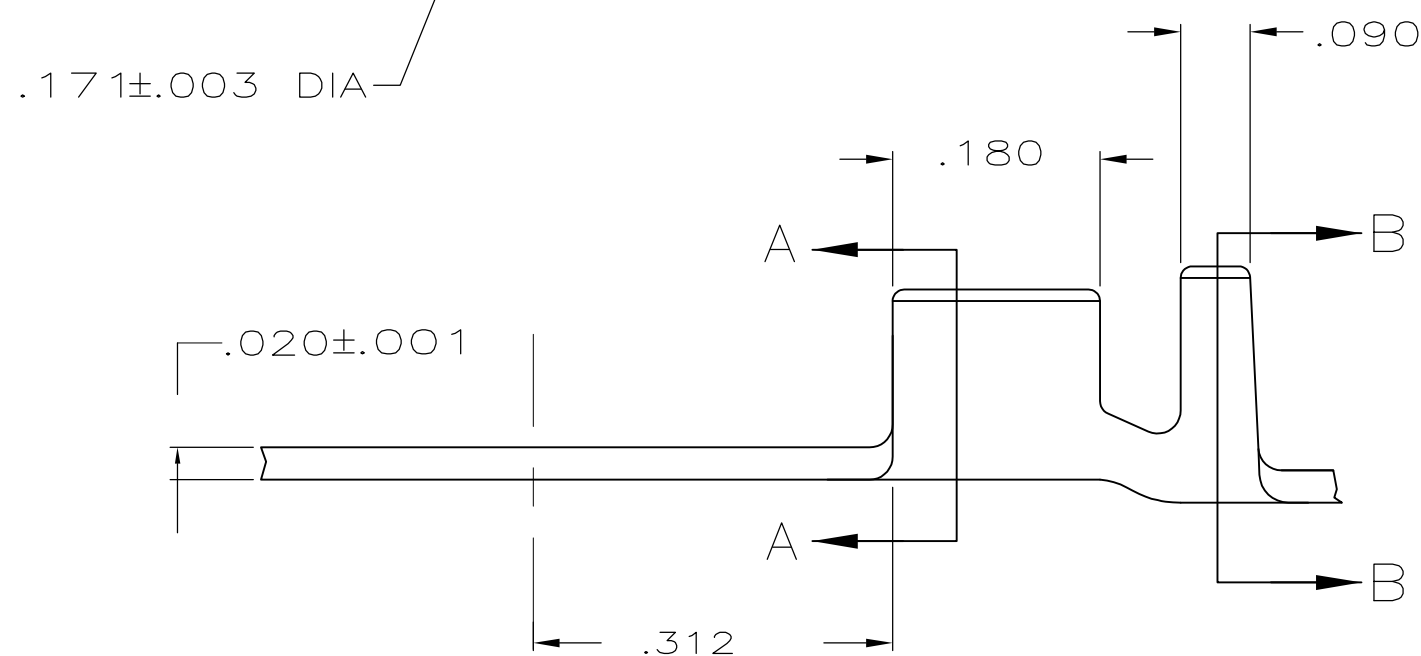
LOC AF DIST 50

REVISIONS

P	LTR	DESCRIPTION	DATE	DWN	APVD
	K	REVISE PER ECR-13-013738	15FEB2014	GRZ	JL



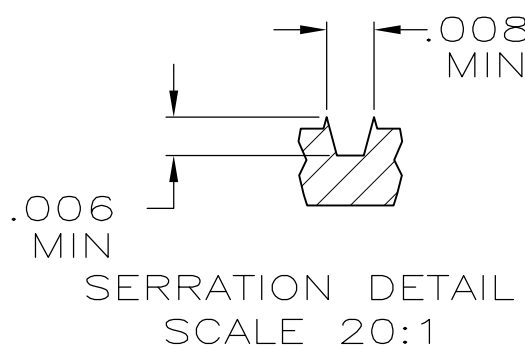
△ 1 TIN PL .000200 MIN PER MIL-T-10727 OVER  
COPPER PL .000100 MIN PER MIL-C-14550



SECTION A-A  
SCALE 8:1

SECTION B-B  
SCALE 8:1

FINISH	INSULATION RANGE	MAGNET WIRE SIZE	PART NO
△ 1	.100-.140	18-14	60320-3
TIN PL	.100-.140	18-14	60320-2
---	.100-.140	18-14	60320-1



THIS DRAWING IS A CONTROLLED DOCUMENT.		DWN P FORTNEY 6/4/87	TE Connectivity NAME RING,AMPLIVAR -			
DIMENSIONS: INCHES		CHK G YETTER 1/6/88			SIZE A3	CAGE CODE 00779
TOLERANCES UNLESS OTHERWISE SPECIFIED:		APVD RP FRANTZ 1/7/88			DRAWING NO C-60320	RESTRICTED TO -
0 PLC ± - 1 PLC ± - 2 PLC ± - 3 PLC ± .015 4 PLC ± - ANGLES ± -		PRODUCT SPEC TL SHUTTER 1/12/88			SCALE 6:1	SHEET 1 OF 1
MATERIAL BRASS	FINISH SEE TABLE	APPLICATION SPEC -	WEIGHT -	REV K		
CUSTOMER DRAWING						